

TFF

Flange Type Reaction Torque Transducer (10kgf·cm ~ 50000kgf·cm)

FEATURE

A static torque sensor for measurement of torque of stationary objects or within a certain angle rotation.

Suitable for torque measurement of various automobile parts.

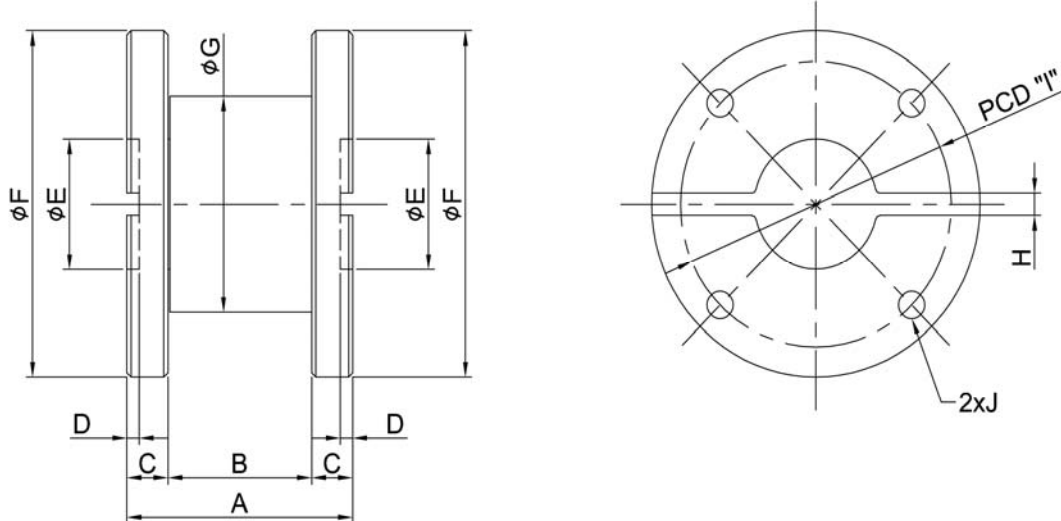
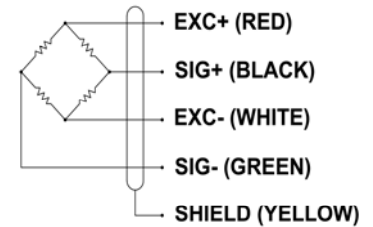
Pneumatic and electric screwdriver etc.

SPECIFICATION

MODEL	TFF
Rated capacity (R.C.)	10, 20, 50, 100, 200, 500, 1000, 2000 5000, 10000, 20000, 50000 kgf·cm
Rated output (R.O.)	1.5 ± 0.35mV/V
Non-linearity	≤ 0.3% R.O.
Hysteresis	≤ 0.3% R.O.
Non-repeatability	≤ 0.3% R.O.
Terminal resistance, input	350Ω ± 1%
Terminal resistance, output	350Ω ± 1%
Insulation resistance	> 2000MΩ
Temp. effect on rated output	≤ 0.1% LOAD/10°C
Temp. effect on zero balance	≤ 0.1% R.O./10°C
Excitation Voltage	10V DC
Safe overload	150% R.C.
Cable	φ7 shield 5m



WIRING INFORMATION



DIMENSION

Rated Capacity	A	B	C	D	φE	φF	φG	H	I	J
10, 20, 50kgf·cm	55	35	10	3	30	80	50	5	66	4-φ6.5
100, 200kgf·cm	55	35	10	3	30	80	50	5	66	4-φ6.5
500, 1000kgf·cm	55	35	10	3	30	80	50	5	66	4-φ6.5
2000kgf·cm	80	50	15	3	40	98	50	10	78	6-φ10.5
5000kgf·cm	120	80	20	5	60	118	75	12	95	6-φ10.5
10000kgf·cm	130	90	20	6	60	146	75	16	115	6-φ14
20000kgf·cm	140	90	25	7.5	60	166	88	20	130	6-φ18
50000kgf·cm	170	100	35	10	80	197	98	28	155	6-φ20