



TFS

Flange&Shaft Type Reaction Torque Transducer (10kgf·cm ~ 2000kgf·cm)

FEATURE

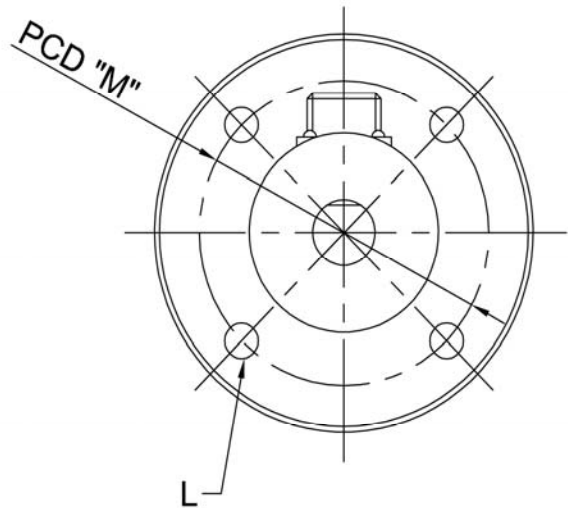
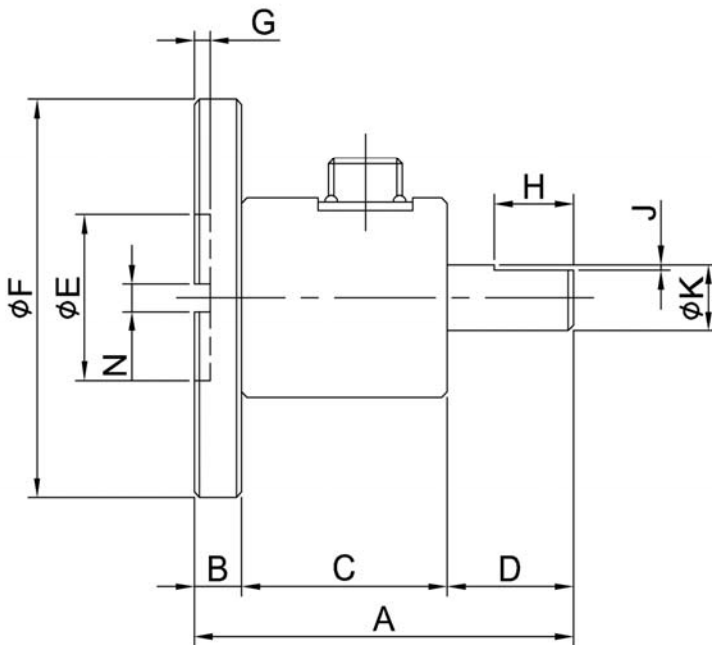
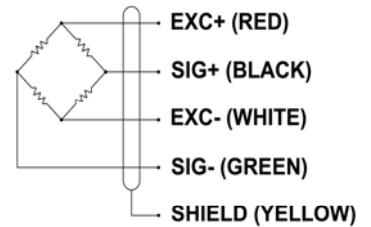
TFS models have the same features as the model of both TFF and TSS and are designed for meeting customer's special requirement.

SPECIFICATION

MODEL	TFS
Rated capacity (R.C.)	10, 20, 50, 100, 200, 500 1000, 2000 kgf·cm
Rated output (R.O.)	1.5 ± 0.35mV/V
Non-linearity	≤ 0.3% R.O.
Hysteresis	≤ 0.3% R.O.
Non-repeatability	≤ 0.3% R.O.
Terminal resistance, input	350Ω ± 1%
Terminal resistance, output	350Ω ± 1%
Insulation resistance	> 2000MΩ
Temp. effect on rated output	≤ 0.1% LOAD/10°C
Temp. effect on zero balance	≤ 0.1% R.O./10°C
Excitation Voltage	10V DC
Safe overload	150% R.C.
Cable	φ7 shield 5m



WIRING INFORMATION



DIMENSION

Rated Capacity	A	B	C	D	φE	φF	G	H	J	φK	M	N	L
10, 20, 50 kgf·cm	72	9	39	24	30	72	3	15	1	12	55	5	4-φ6.5
100 kgf·cm	72	9	39	24	30	72	3	15	6 x 6	18	55	5	4-φ6.5
200, 500 kgf·cm	83	12	43	28	40	88	3.5	15	8 x 7	24	70	6	4-φ6.5
1000, 2000 kgf·cm	90	12	46	32	50	95	4	22	10 x 8	32	76	8	4-φ9