

TNN

Reaction Torque Transducer (50kgf·cm ~ 2000kgf·cm)

FEATURE

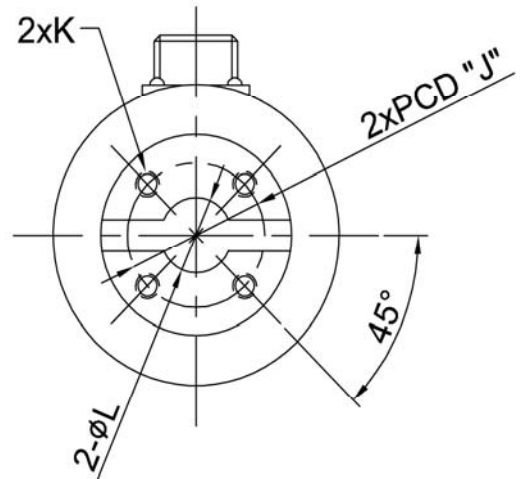
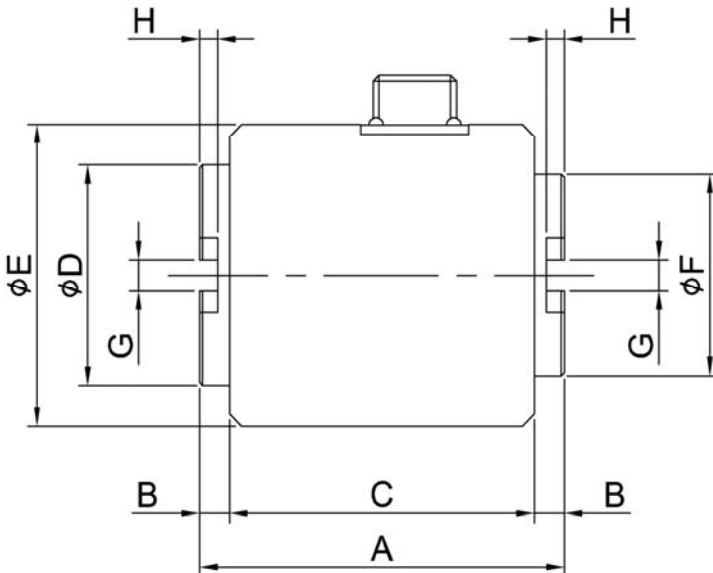
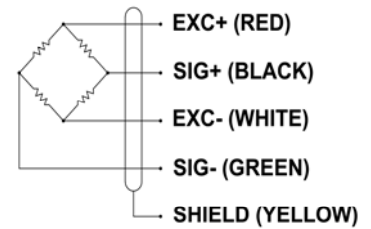
Reaction measurements eliminate speed limitations.
Minimal friction error.
Compact "low mass" physical size

SPECIFICATION

MODEL	TNN
Rated capacity (R.C.)	50, 100, 200, 500, 1000, 2000 kgf·cm
Rated output (R.O.)	1.5 ± 0.35mV/V
Non-linearity	≤ 0.3% R.O.
Hysteresis	≤ 0.3% R.O.
Non-repeatability	≤ 0.3% R.O.
Terminal resistance, input	350Ω ± 1%
Terminal resistance, output	350Ω ± 1%
Insulation resistance	> 2000MΩ
Temp. effect on rated output	≤ 0.1% LOAD/10 °C
Temp. effect on zero balance	≤ 0.1% R.O./10 °C
Excitation Voltage	10V DC
Safe overload	150% R.C.
Cable	φ7 shield 5m



WIRING INFORMATION



DIMENSION

Rated Capacity	A	B	C	φD	φE	φF	G	H	J	K	φL
20, 50, 100 kgf·cm	54	4	46	26	38	23	4	2.5	16.5	4-M3 TAP DP 7	8
200, 500 kgf·cm	61	5	51	35	48	32	5	3	23	4-M4 TAP DP 10	12
1000, 2000 kgf·cm	70	6	58	45	58	42	6	3.5	30	4-M5 TAP DP 10	15