



TSS

Shaft Type Reaction Torque Transducer (10kgf·cm ~ 10000kgf·cm)

FEATURE

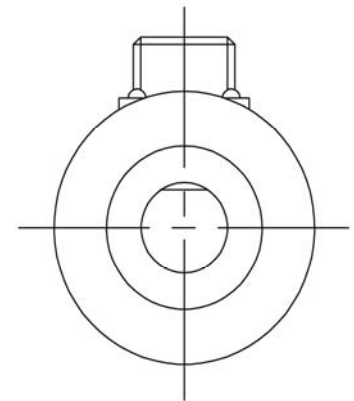
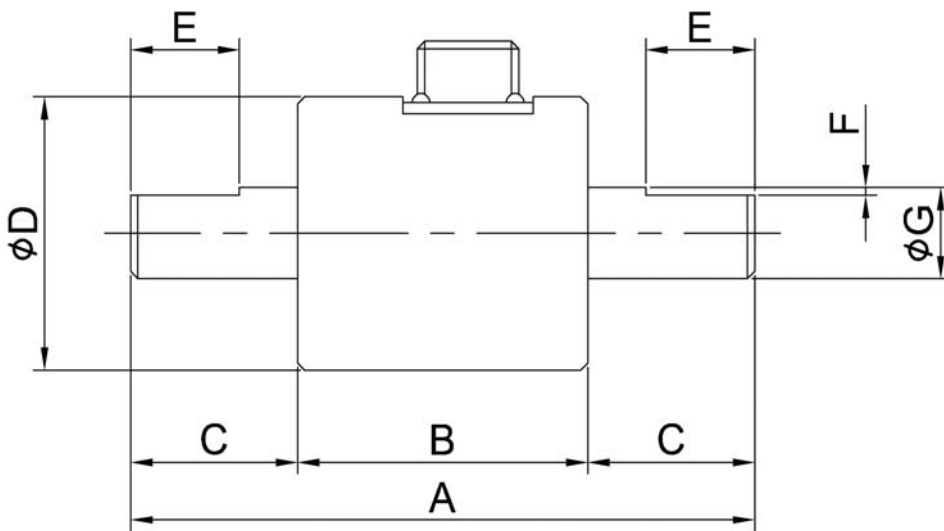
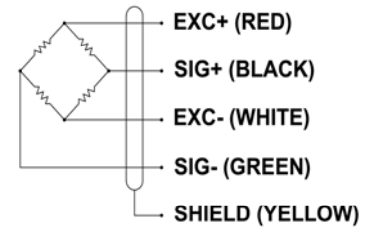
TSS models as shaft torque transducer have the same features as the model TFF. The applications are suitable for adjusting torque at shut-off couplings, measuring of steering devices and checking electric and pneumatic motors.

SPECIFICATION

MODEL	TSS
Rated capacity (R.C.)	10, 20, 50, 100, 200, 500, 1000, 2000, 5000, 10000 kgf·cm
Rated output (R.O.)	1.5 ± 0.35mV/V
Non-linearity	≤ 0.3% R.O.
Hysteresis	≤ 0.3% R.O.
Non-repeatability	≤ 0.3% R.O.
Terminal resistance, input	350Ω ± 1%
Terminal resistance, output	350Ω ± 1%
Insulation resistance	> 2000MΩ
Temp. effect on rated output	≤ 0.1% LOAD/10°C
Temp. effect on zero balance	≤ 0.1% R.O./10°C
Excitation Voltage	10V DC
Safe overload	150% R.C.
Cable	φ7 shield 5m



WIRING INFORMATION



DIMENSION

Rated Capacity	A	B	C	φD	E	F	φG
10, 20, 50 kgf·cm	86	40	23	36	15	1	12
100 kgf·cm	86	40	23	38	15	6 x 6	18
200, 500 kgf·cm	89	43	23	48	15	8 x 7	24
1000, 2000 kgf·cm	110	46	32	58	22	10 x 8	32
5000, 10000 kgf·cm	145	55	45	84	30	16 x 10	58